

Bx



OPERATOR FOR
SLIDING GATES
WEIGHING UP TO
800 KG (1,760 LB)



CAME

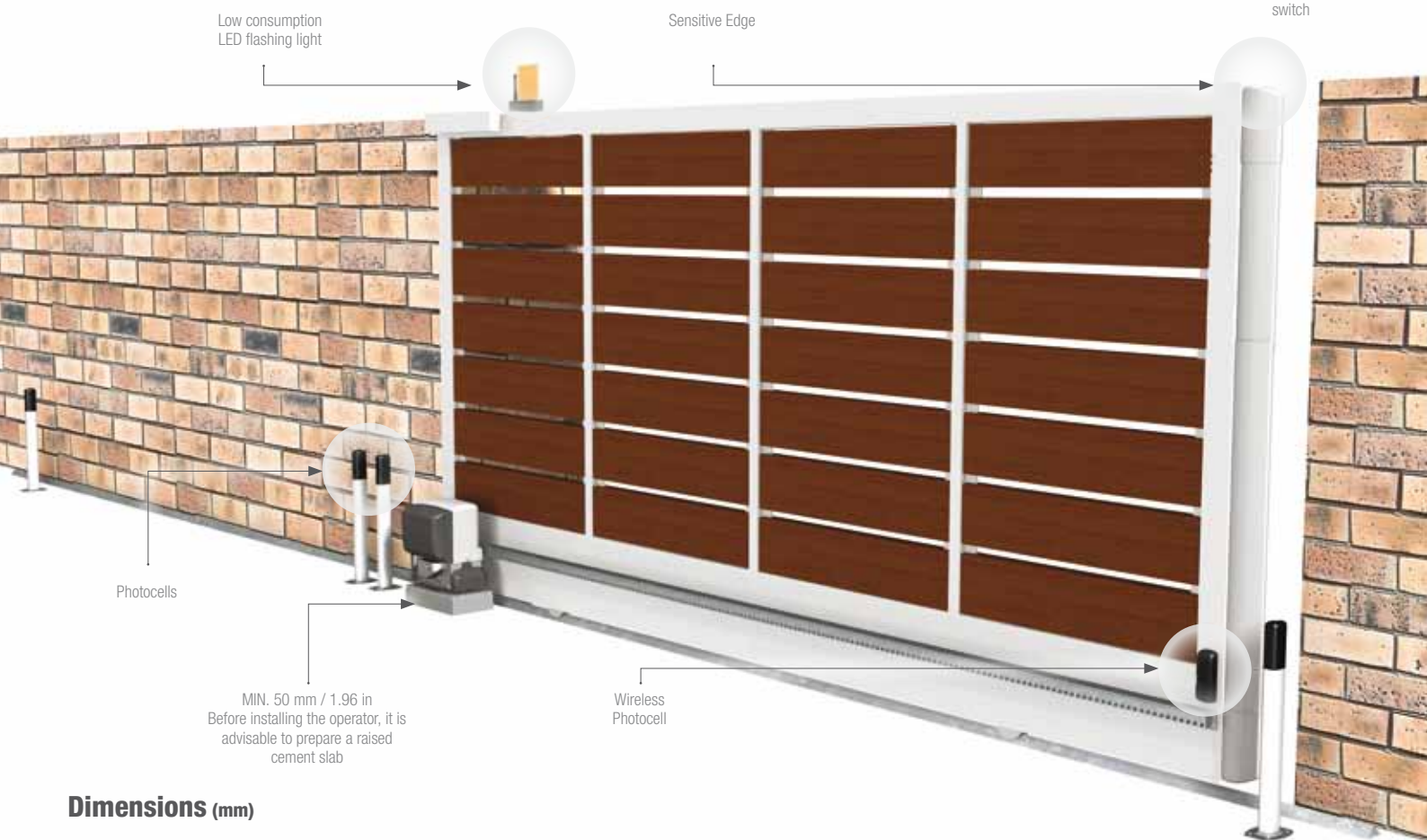
Sturdy and reliable.

Bx is the ideal solution for all sliding gates weighing up to 800 kg (1,760 lb). It comes in various models depending on the need, including intensive use conditions.

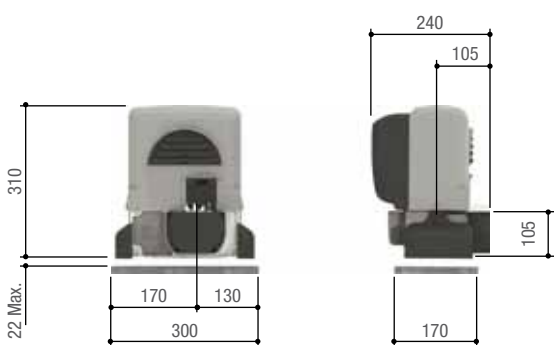


Outside photocells

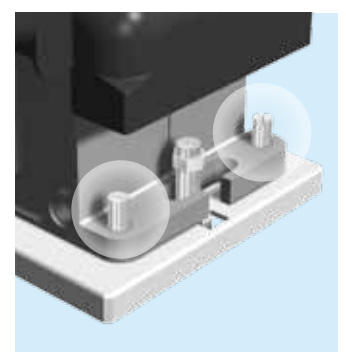
Outside selector switch



Dimensions (mm)



Bx is fitted with adjustable feet to better adapt it to the surface on which it rests and to the transmission rack fitted on the gate.



Benefits become solutions.



AMPLE CHOICE

The Bx range comprises several models to meet all and any residential installation needs. The BX-P model features the PRATICO SYSTEM feature - a Came patent so you can release the gate by transmitter, for manually opening the gate in case of need.

DESIGNED TO LAST

The quality of the materials used and the attention to detail in its construction, give the Bx series great durability over time.

SAFETY UNDER CONTROL

- You can stop the gate's movement directly from the radio transmitter, so you have total control in the palm of your hand.
- The BX-10 model comes complete with a display for programming features and controlling the gate leaf's movement, even with obstructions present.
- Safety is ensured even when the gate is idle thanks to the electronic circuit which cancels any command if an obstacle is detected by the safety devices within the operating range of the gate leaf.
- Self-diagnosing safety devices, such as photocells, before even moving the gate.



EN TESTED safety

An electromechanical EN TESTED branded system always ensures safe controlled operation of moving gates, in compliance with current legislative standards in terms of impact forces.



Guaranteed by 24 Volts

Systems running at 24 Volts are super safe to use and very reliable under intense working conditions, such as those found at residential apartment complexes and industrial facilities. Moreover, 24 Volt systems work even during power outages, thanks to the optional batteries.



Read up at came.com about the full range of Came products!

Came is a market leading home, industrial, and special technological projects automation manufacturing company.

A full range of household solutions: from operators for gates and garage doors, to shutter and awning winding motors, and even home automation control, to burglar proof and video entry systems. Technology and reliability to serve your business, thanks to solutions designed for powering large industrial doors, automatic doors, street barriers, turnstiles, access control systems and parking facilities.





CUSTOMIZED ELECTRONICS FOR YOUR NEEDS!

BX is available in both the 230 V AC and 24 V DC versions.

The table shows the main control panel characteristics coupled to the gearmotors.



GARANZIA QUALITÀ ORIGINALE

Came products are entirely designed and made in ITALY



Came S.p.A. is Quality and Environmentally certified by
UNI EN ISO 9001
UNI EN ISO 14001

MODEL	BX-74	BX-78	BX-P	BX-10	BX-246
CONTROL PANEL	ZBX74	ZBX78	ZBX8	ZBX10	ZD2
SAFETY FEATURES					
SELF-DIAGNOSING safety devices				●	●
WAIT obstruction				●	
PARTIAL STOP	●	●	●	●	●
OBSTRUCTION DETECTED in front of photocells	●	●	●	●	●
Device for CONTROLLING MOVEMENT and DETECTING ANY OBSTRUCTIONS	●	●		●	●
CONTROL FEATURES					
PARTIAL OPENING one leaf	●	●	●	●	●
OPEN ONLY from transmitter and/or button	●	●	●	●	●
OPEN ONLY or CLOSE ONLY button connection				●	●*
OPEN-STOP-CLOSE-STOP from transmitter and/or from button	●	●	●	●	●
OPEN-CLOSE-INVERSION from transmitter and/or from button	●	●	●	●	●
MAINTAINED ACTION	●	●	●	●	●
CHARACTERISTICS AND ADJUSTMENTS					
CYCLE LAMP connection	●	●	●	●	
COURTESY LAMP connection				●	
Adjustable AUTOMATIC RECLOSING TIME	●	●	●	●	●
OPENING and/or CLOSING slow down	●	●		●	●
Operation with EMERGENCY BATTERIES (optional)					●
Adjustable GATE TRAVEL and SLOW DOWN Speeds	●**	●**		●**	●

NOTES:

* For BX-246 "OPEN ONLY" feature.

**For BX-10, BX-74 and BX-78 only slow down speed.

● 230 V AC ● 24 V DC

MODEL	BX-74	BX-78 • BX-10	BX-P	BX-246
Protection rating (IP)	54	54	54	54
Power supply (V - 50/60 Hz)	230 AC	230 AC	230 AC	230 AC
Power supply to motor (V - 50/60 Hz)	230 AC	230 AC	230 AC	24 DC
Draw (A)	2,6	2,4	2	10 Max.
Power (W)	200	300	230	400
Opening time (m/min) / (ft/min)	10.5 / 34.5	10.5 / 34.5	17 / 55.7	6 ÷ 12 / 19.7 ÷ 39.4
Duty cycle (%)	30	30	30	INTENSIVE USE
Thrust (N)	300	800	600	700
Operating temperature (°C / °F)	-20 ÷ +55 / -4 ÷ +131	-20 ÷ +55 / -4 ÷ +131	-20 ÷ +55 / -4 ÷ +131	-20 ÷ +55 / -4 ÷ +131
Motor's heat protection (°C / °F)	150 / 302	150 / 302	150 / 302	-

● 230 V AC ● 24 V DC

LIMITS TO USE (MAXIMUM LEAF LENGTH)

14 m 46 ft	BX-74 400 Kg 880 lb	BX-P 600 Kg 1,330 lb	BX-78 800 Kg 1,770 lb
18 m 59 ft	BX-246 600 Kg 1,330 lb		
20 m 65.6 ft	BX-10 800 Kg 1,770 lb		

● 230 V AC ● 24 V DC

SOME VERSION MAY NOT BE AVAILABLE IN YOUR COUNTRY. FOR MORE INFORMATION PLEASE CHECK WITH YOUR LOCAL AUTHORIZED DEALER.



© CAME SPA - KDEP#CEN04A3S114 - JAN 2014 - EN

Even partial reproduction is prohibited • Came reserves the right to make any changes to this document at any time



Came S.p.A.

Via Martiri della Libertà, 15
 Dosson di Casier
 Treviso - Italy

www.came.com

Came is a company of
CAMEGROUP